



**Einscheibenschleifmaschine MAMBO EVO**

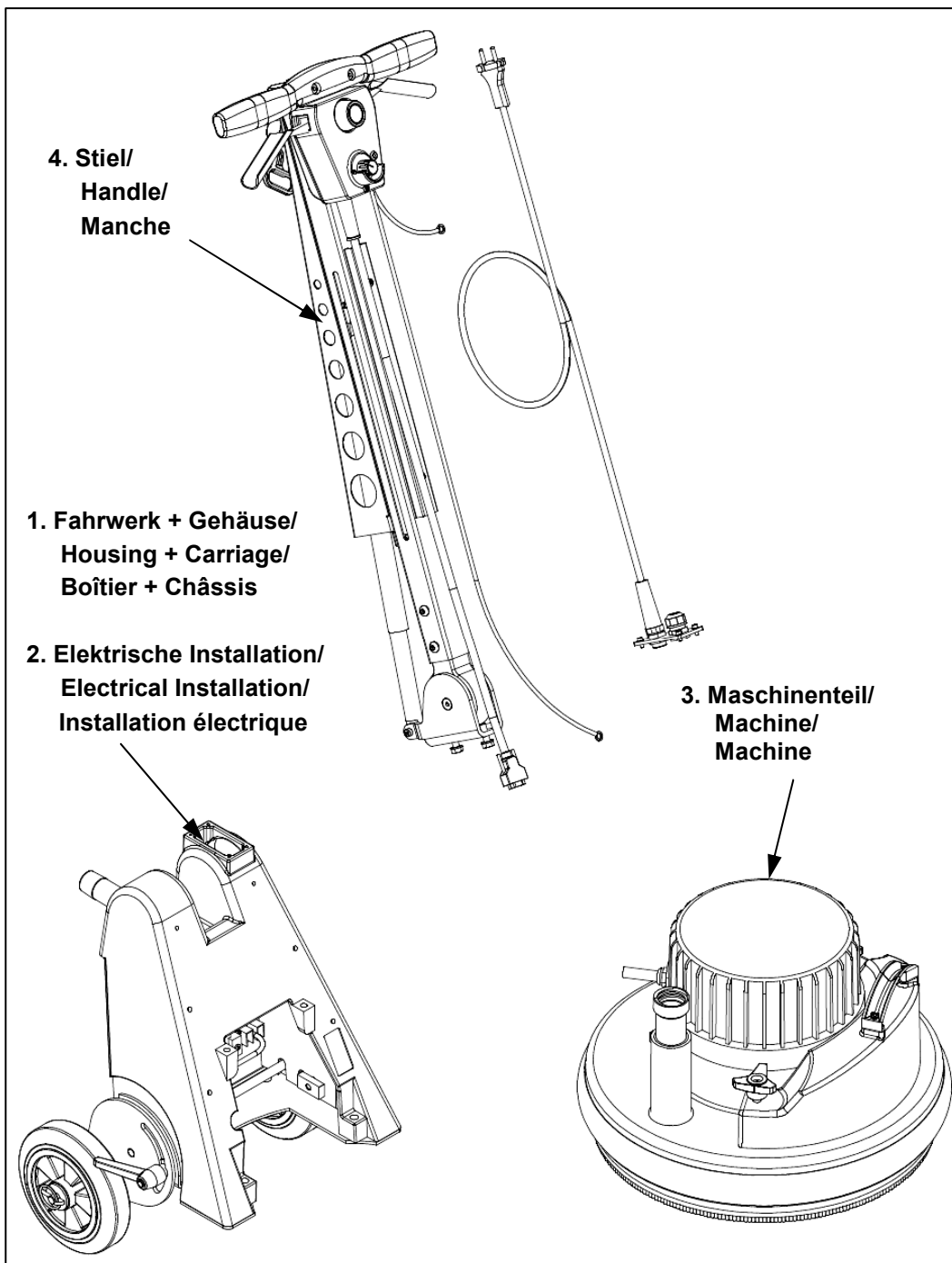
Art. # (D, F, A) 061804, (CH) 061808, (230V UK) 061809, (115V UK) 062551, (115V USA) 068952

**Ersatzteilliste / Spare parts list / Liste de pièces de rechange**

**Masch. Nr.:** ab 02/2011 bis 0441/2014

**Jahrgang:** ab 02/2011 bis 08/2014

**Bes. Kennzeichen:** Stiel mit Gasdruckfeder



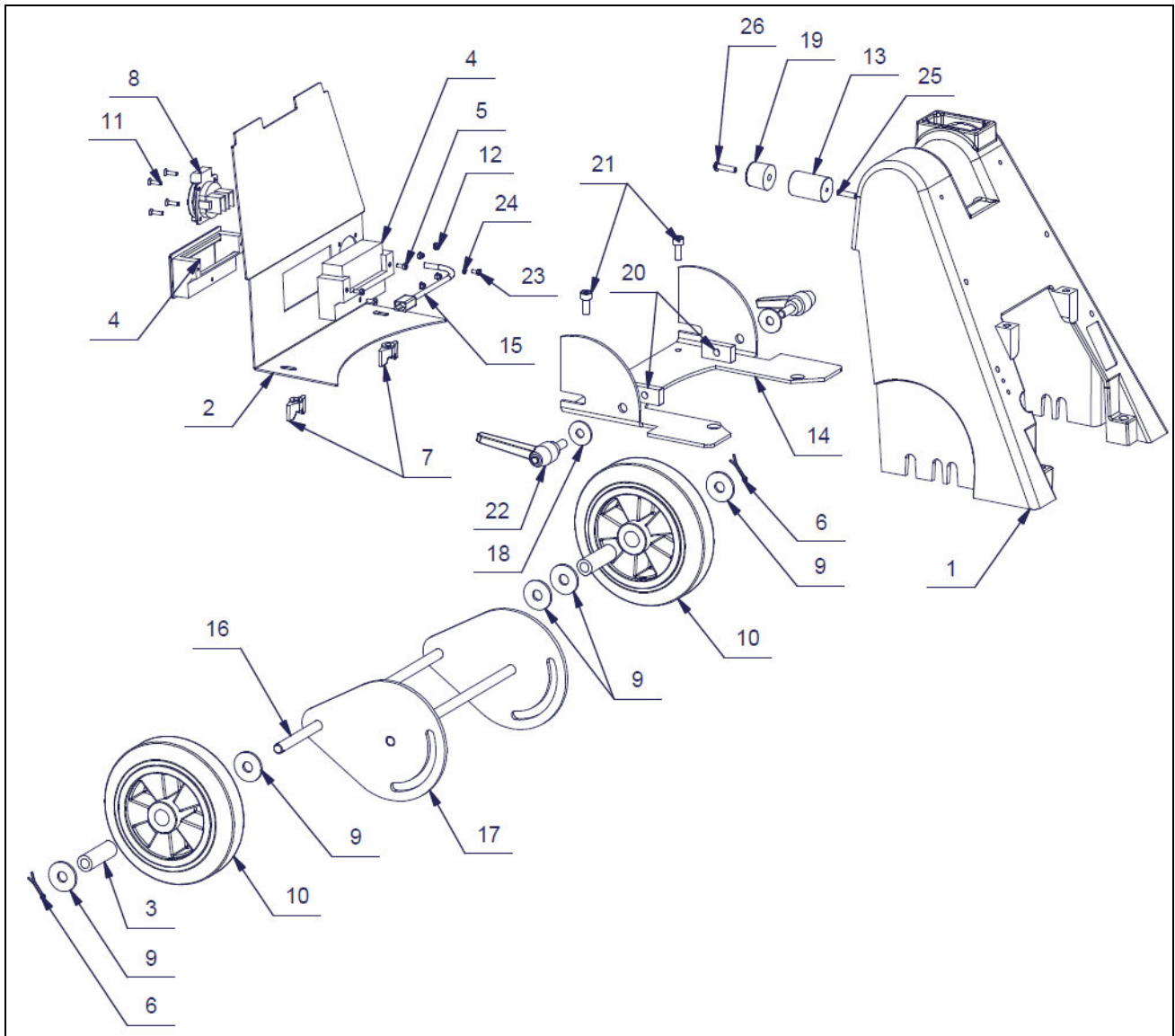
Ersatzteilliste / Spare Part List # 061805



## Einscheibenschleifmaschine MAMBO EVO

Art. # (D, F, A) 061804, (CH) 061808, (230V UK) 061809, (115V UK) 062551, (115V USA) 068952

### 1. Fahrwerk + Gehäuse/ Housing + Carriage/ Boîtier + Châssis:





## Einscheibenschleifmaschine MAMBO EVO

Art. # (D, F, A) 061804, (CH) 061808, (230V UK) 061809, (115V UK) 062551, (115V USA) 068952

### 1. Fahrwerk + Gehäuse/ Housing + Carriage/ Boîtier + Châssis:

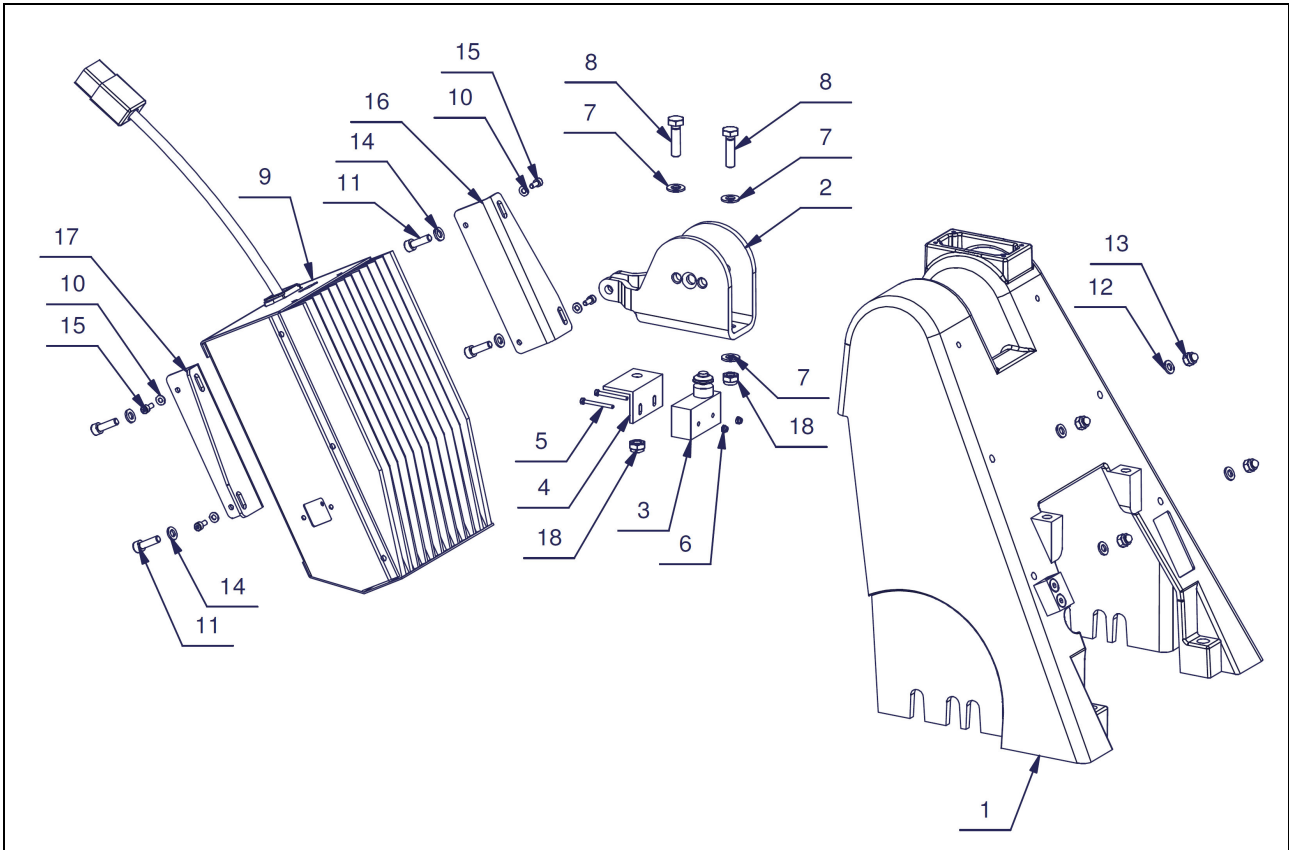
| Pos | Pcs | #      | Bezeichnung               | Description        | Dénomination              | Norm              |
|-----|-----|--------|---------------------------|--------------------|---------------------------|-------------------|
| 1   | 1   | 017830 | Gehäuse                   | Housing            | Boîtier                   |                   |
| 2   | 1   | 037935 | Rückwand 230V             | Back panel         | Face arrière              |                   |
| 2   | 1   | 042146 | Rückwand 115V             | Back panel         | Face arrière              |                   |
| 3   | 2   | 017922 | Radnabe                   | Wheel hub          | Moyeu de roue             |                   |
| 4   | 1   | 017594 | Muldengriff               | Recessed grip      | Poignée                   |                   |
| 5   | 3   | 014804 | Linsenschrauben           | Counter screw      | Vis à tête goutte-de-suif | DIN 7985 - M4x10  |
| 6   | 2   | 018806 | Splint                    | Split-pin          | Goupille fendue           | DIN 94 - 3,2x25   |
| 7   | 2   | 016995 | Flügelmutter              | Thumb nut          | Ecrou à oreilles          | M8                |
| 8   | 1   | 014653 | Steckdose                 | Socket             | Prise de courant          |                   |
| 9   | 5   | 017637 | Unterlegscheibe           | Washer             | Rondelle                  | DIN 9021 - 13     |
| 10  | 2   | 014645 | Rad 180                   | Wheel              | Roue                      |                   |
| 11  | 4   | 017702 | Senkschraube              | Counter sunk screw | Vis à tête fraisée        | DIN 7991-M4x16    |
| 12  | 4   | 014813 | Sechskantmutter           | Hexagon nut        | Ecrou hexagonal           | DIN 985 - M4      |
| 13  | 1   | 061885 | Distanz                   | Spacer             | Ecarteur                  |                   |
| 14  | 1   | 037957 | Chassis                   | Chassis            | Chassis                   |                   |
| 15  | 1   | 037956 | Kabel m. Eurobuchse       | Cable w. Bushing   | Câble et Douille          |                   |
| 16  | 1   | 037967 | Achse f. Fahrwerk         | Axle               | Axe                       |                   |
| 17  | 1   | 037958 | Fahrwerk                  | Chassis            | Roue                      |                   |
| 18  | 2   | 018236 | Unterlegscheibe           | Washer             | Rondelle                  | DIN 9021 - 10,5   |
| 19  | 1   | 016138 | Türpuffer                 | Floor Stopper      | Butoir de Porte           |                   |
| 20  | 2   | 038290 | Rechteckmutter            | Nut                | Ecrou                     | M10               |
| 21  | 2   | 014734 | Zylinderschraube          | Cylindrical screw  | Boulon hexagonal          | DIN 912 - M8 x 20 |
| 22  | 2   | 037952 | Klemmhebel                | Clamp socket       | Borne plate               | M10 x 32          |
| 23  | 1   | 017403 | Messingschraube           | Screw              | Vis                       | DIN 84 - M4 x 8   |
| 24  | 1   | 017663 | Zahnscheibe               | Tooth lock washer  | Disque denté              | DIN 6797 - A 4,3  |
| 25  | 1   | 017526 | Gewindestift              | Headless pin       | Vis sans tête             | DIN 913 - M6x25   |
| 26  | 1   | 017558 | Linsenflanschkopfschraube | Tallow-drop screw  | Vis à tete goutte-de-suif | M6x25             |



## Einscheibenschleifmaschine MAMBO EVO

Art. # (D, F, A) 061804, (CH) 061808, (230V UK) 061809, (115V UK) 062551, (115V USA) 068952

### 2. Elektrische Installation/ Electrical Installation/ Installation électrique:



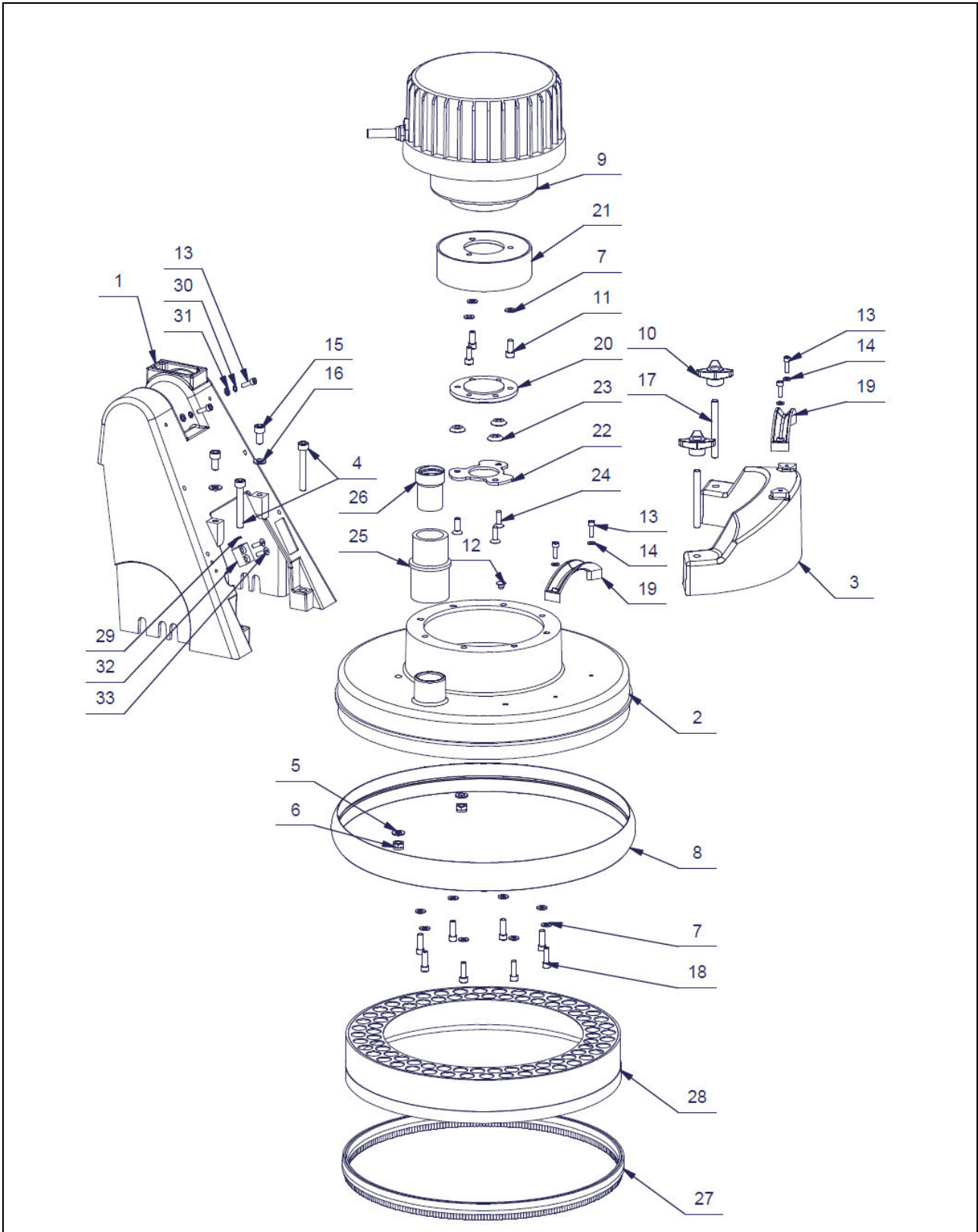
| Pos | Pcs | #      | Bezeichnung                          | Description                | Dénomination                    | Norm              |
|-----|-----|--------|--------------------------------------|----------------------------|---------------------------------|-------------------|
| 1   | 1   | 017830 | Gehäuse                              | Housing                    | Boîtier                         |                   |
| 2   | 1   | 060706 | Stielaufnahme                        | Handle support             | Butée du manche                 |                   |
| 3   | 1   | 014648 | Neigungsschalter<br>Stielverstellung | Switch (handle adjustment) | Levier de réglage du timon      |                   |
| 4   | 1   | 017925 | Halter (Schalter-Stielverst.)        | Handle mounting            | Porte-manche                    |                   |
| 5   | 2   | 017744 | Zylinderschraube                     | Cylindrical screw          | Boulon hexagonal                | DIN 84 - M3 x 30  |
| 6   | 2   | 017768 | Sechskantmutter                      | Hexagon nut                | Ecrou hexagonal                 | DIN 985 - M3      |
| 7   | 3   | 014860 | Schnorr Scheibe                      | Washer                     | Disque Schnorr                  | M8                |
| 8   | 2   | 017060 | Sechskantschraube                    | Hexagon bolt               | Boulon hexagonal                | DIN 933 - M8x30   |
| 9   | 1   | 061420 | Elektronik                           | Elektronics                | Electronique                    | 230V 50/60Hz      |
| 9   | 1   | 062379 | Elektronik                           | Elektronics                | Electronique                    | 115V 50/60Hz      |
| 10  | 4   | 016961 | Schnorr Scheibe                      | Washer                     | Disque Schnorr                  | M4                |
| 11  | 4   | 014730 | Zylinderschraube                     | Cylindrical screw          | Boulon hexagonal                | DIN 912 - M6x20   |
| 12  | 4   | 014827 | Unterlegscheibe                      | Washer                     | Rondelle                        | DIN 125-2 - B 6,4 |
| 13  | 4   | 017728 | Hutmutter                            | Cap nut                    | Ecrou borgne                    | DIN 986 - M6      |
| 14  | 4   | 014859 | Schnorr Scheibe                      | Washer                     | Disque Schnorr                  | M6                |
| 15  | 4   | 014717 | Zylinderschraube                     | Cylindrical screw          | Boulon hexagonal                | DIN 912 - M4x 10  |
| 16  | 1   | 037963 | Halter, links                        | Holding device, left       | Serrage, droit                  |                   |
| 17  | 1   | 037962 | Halte, rechts                        | Holding device, right      | Serrage, gauche                 |                   |
| 18  | 2   | 014816 | Stopmutter                           | Nut, self-locking          | Ecrou hexagona freinage interne | DIN 985 - M8      |



## Einscheibenschleifmaschine MAMBO EVO

Art. # (D, F, A) 061804, (CH) 061808, (230V UK) 061809, (115V UK) 062551, (115V USA) 068952

### 3. Maschinenteil/ Machine/ Machine Palier de rouleau de ponnage





## Einscheibenschleifmaschine MAMBO EVO

Art. # (D, F, A) 061804, (CH) 061808, (230V UK) 061809, (115V UK) 062551, (115V USA) 068952

### 3. Maschinenteil/ Machine/ Machine Palier de rouleau de ponnage

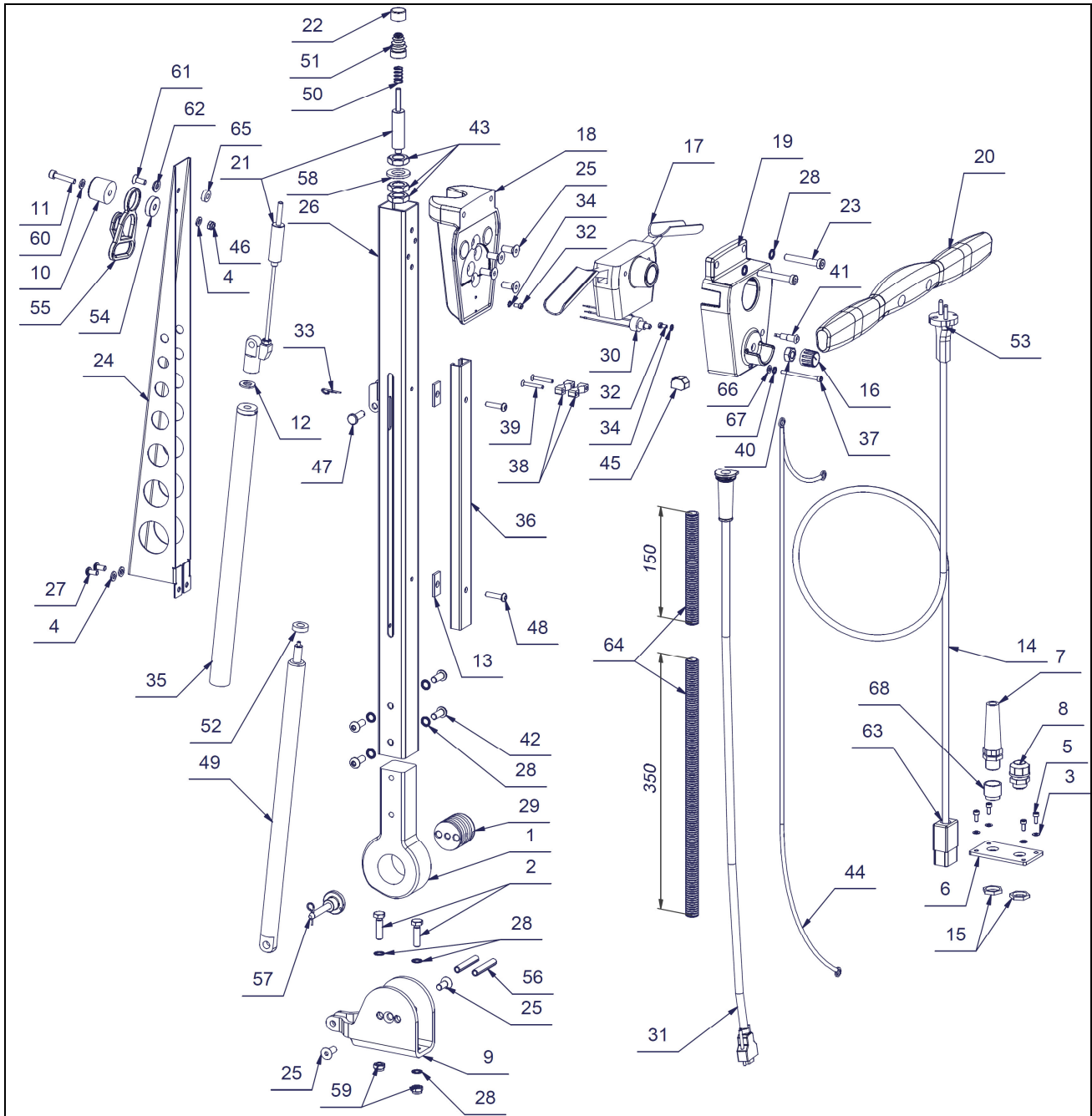
| Pos | Pcs | #      | Bezeichnung           | Description             | Dénomination               | Norm               |
|-----|-----|--------|-----------------------|-------------------------|----------------------------|--------------------|
| 1   | 1   | 017830 | Gehäuse bearbeitet    | Housing                 | Boîtier                    |                    |
| 2   | 1   | 037933 | Abdeckung             | Disc cover              | Couvercle                  |                    |
| 3   | 1   | 038311 | Zusatzgewicht         | Additional weight       | Poids supplémentaire       |                    |
| 4   | 2   | 014742 | Zylinderschraube      | Cylindrical screw       | Boulon hexagonal           | DIN 912 - M10x70   |
| 5   | 2   | 014829 | Unterlegscheibe       | Washer                  | Rondelle                   | DIN 125-1 - B 10,5 |
| 6   | 2   | 014817 | Sechskantmutter       | Hexagon nut             | Boulon hexagonal           | DIN 985 - M10      |
| 7   | 11  | 014860 | Schnorrscheibe        | Washer                  | Disque Schnorr             | M8                 |
| 8   | 1   | 018624 | Stossgummi            | Rubber washer           | Pare-choc en caoutchouc    |                    |
| 9   | 1   | 037293 | Motor                 | Motor                   | Moteur                     |                    |
| 10  | 2   | 037940 | Dreisterngriffmutter  | Star-shaped knob        | Écrou étoile               | D63 - M10          |
| 11  | 3   | 014734 | Zylinderschraube      | Cylindrical screw       | Boulon hexagonal           | DIN 912 - M8x20    |
| 12  | 1   | 050432 | Abdeckstopfen         | Filler Cap              | Bouchon                    | D8,5x15            |
| 13  | 4   | 014730 | Zylinderschraube      | Cylindrical screw       | Boulon hexagonal           | DIN 912 - M6x20    |
| 14  | 4   | 014859 | Schnorrscheibe        | Washer                  | Disque Schnorr             | M6                 |
| 15  | 2   | 018301 | Zylinderschraube      | Cylindrical screw       | Boulon hexagonal           | DIN 912 - M10x20   |
| 16  | 2   | 014861 | Schnorrscheibe        | Washer                  | Disque Schnorr             | M10                |
| 17  | 2   | 014789 | Stiftschraube         | Locking screw           | Boulon fileté              | DIN 939 - M10x80   |
| 18  | 8   | 037936 | Zollschraube          | Screw                   | Vis                        | 5/16"              |
| 19  | 2   | 037954 | Griff                 | Handle                  | Manette                    |                    |
| 20  | 1   | 055054 | Zwischenflansch       | Intermediat flange      | Bride                      |                    |
| 21  | 1   | 048982 | ZB Gummikupplung      | Coupling                | Accouplement               |                    |
| 22  | 1   | 015401 | Kupplungsflansch      | Coupling flange         | Bride d'accouplement       |                    |
| 23  | 3   | 015402 | Distanzscheibe        | Distance washer         | Ecarteur                   |                    |
| 24  | 3   | 014761 | Senkschraube          | Counter sunk screw      | Vis à tête fraisée         | DIN 7991 - M8x25   |
| 25  | 1   | 038921 | Absaugstutzen         | Connecting piece        | Manchon d'aspiration       |                    |
| 26  | 1   | 015387 | Absaugstutzen kurz    | Connecting piece, short | Manchon d'aspiration, rase |                    |
| 27  | 1   | 020993 | Bürste gross          | Brush                   | Brosse                     |                    |
| 28  | 1   | 020995 | SG Staubdichtring gr. | Dust seal               | Joint étanche              |                    |
| 29  | 1   | 063181 | O-Ring                | Seal ring               | Bague d'étanchéité         | 8 x 2              |
| 30  | 2   | 014859 | Schnorrscheibe        | Washer                  | Disque Schnorr             | M6                 |
| 31  | 2   | 014827 | U-Scheibe             | Washer                  | Rondelle                   | DIN 125 - A6,4     |
| 32  | 1   | 063119 | Halterung             | Holdig device           | fixation                   |                    |
| 33  | 2   | 014757 | Senkschraube          | Counter sunk screw      | Vis à tête fraisée         | DIN 7991 - M6 x 20 |



## Einscheibenschleifmaschine MAMBO EVO

Art. # (D, F, A) 061804, (CH) 061808, (230V UK) 061809, (115V UK) 062551, (115V USA) 068952

### 4. Stiel/ Handle/ Manche 230V





## Einscheibenschleifmaschine MAMBO EVO

Art. # (D, F, A) 061804, (CH) 061808, (230V UK) 061809, (115V UK) 062551, (115V USA) 068952

### 4. Stiel/ Handle/ Manche 230V

| Pos | Pcs | #      | Bezeichnung               | Description        | Dénomination                           | Norm             |
|-----|-----|--------|---------------------------|--------------------|--|------------------|
| 1   | 1   | 060705 | Stielhalterung            | Handle support     | Butée du manche                        |                  |
| 2   | 2   | 017060 | Sechskantschraube         | Hexagon bolt       | Vis à six pans                         | DIN 933 - M8x30  |
| 3   | 8   | 016961 | Schnorr Scheibe           | Washer             | Disque Schnorr                         | M4               |
| 4   | 3   | 014859 | Schnorr Scheibe           | Washer             | Disque Schnorr                         | M6               |
| 5   | 4   | 014717 | Zylinderschraube          | Cylindrical screw  | Boulon hexagonal                       | DIN 912 - M4x10  |
| 6   | 1   | 038502 | Platte PG Verschr. 2fach  | Plate              | Plaque                                 |                  |
| 7   | 1   | 039710 | Versch. m. Biegeschutz    | Connection         | Vissage                                | PG11             |
| 8   | 1   | 038836 | Verschraubung             | Connection         | Vissage                                |                  |
| 9   | 1   | 060706 | Stielaufnahme             | Support handle     | Support manche                         |                  |
| 10  | 1   | 016138 | Türpuffer                 | Floor stopper      | Butoir de porte                        |                  |
| 11  | 1   | 017678 | Zylinderschraube          | Cylindrical screw  | Boulon hexagonal                       | DIN 912 - M6x30  |
| 12  | 1   | 014861 | Schnorr Scheibe           | Washer             | Disque Schnorr                         | M10              |
| 13  | 2   | 014932 | Gummiplatte               | Rubber sleeve      | Plaque en caoutchouc                   |                  |
| 14  | 1   | 061407 | Zuleitung ohne Stecker    | Cord without plug  | Cordon d'alimentation, sans connecteur | 230V / 115V 0,5m |
| 14  | 1   |        | Zuleitung ohne Stecker    | Cord without plug  | Cordon d'alimentation, sans connecteur | 230V / 115V 10m  |
| 15  | 2   | 019182 | Gegenmutter               | Nut                | Boulon                                 | PG 11            |
| 16  | 1   | 014647 | ZB-Drehknopf              | Knob               | Bouton de commande                     |                  |
| 17  | 1   | 015000 | ZB- Zweihandschalter      | Two-hand switch    | Levier à deux mains                    |                  |
| 18  | 1   | 060732 | Grundträger               | Base support       | Support de base                        |                  |
| 19  | 1   | 061745 | Schaltergehäuse           | Switch housing     | Couvercle de levier                    |                  |
| 20  | 1   | 015421 | Schäumgriff               | Foam grip          | Poignée à mousse                       |                  |
| 21  | 1   | 060723 | Auslösekopf Evo           | Release Gas Spring | Bouton de commande                     |                  |
| 22  | 1   | 060710 | Drückknopf                | Press button       | Bouton-poussoir                        |                  |
| 23  | 2   | 017551 | Zylinderschraube          | Cylindrical screw  | Boulon hexagonal                       | DIN 7984 -M8x50  |
| 24  | 1   | 060721 | Blechabdeckung            | Cover, Metall      | Couvercle, tôle                        |                  |
| 25  | 6   | 014759 | Senkschraube              | Counter sunk screw | Vis à tête fraisée                     | DIN 7991-M8x18   |
| 26  | 1   | 060765 | SG Vierkantstiel          | Handle, square     | Manche, carré                          |                  |
| 27  | 2   | 017552 | Linsenflanschkopfschraube | Tallow-drop screw  | Vis à tête goutte-de-suif              | M6x16 m. innen6  |
| 28  | 9   | 014860 | Schnorr Scheibe           | Washer             | Disque Schnorr                         | M8               |
| 29  | 1   | 060708 | Lagerbolzen               | Bearing pin        | Boulon                                 |                  |
| 30  | 1   | 037939 | Potentiometer 4K7         | Potentiometer      | Potentiomètre                          |                  |
| 31  | 1   | 038032 | Steuerkabel kompl.        | Control wire       | commande câble                         |                  |
| 32  | 2   | 017473 | Messingschraube           | Bolt               | Vis                                    | DIN 84 - M4 x 8  |
| 33  | 1   | 060766 | Federstecker              | Feder              | Ressort                                | ähnl. DIN 11024  |
| 34  | 2   | 017663 | Zahnscheibe               | Washer             | Disque                                 | DIN 6797 - A 4,3 |
| 35  | 1   | 060707 | SG Schutzrohr             | Protection tube    | Tube de protection                     |                  |
| 36  | 1   | 038289 | Kabelkanal                | Cable pit          | Conduite de câbles                     |                  |
| 37  | 1   | 017639 | Zylinderschraube          | Cylindrical screw  | Boulon hexagonal                       | DIN 912-M4x55    |
| 38  | 2   | 017709 | Kabelschelle              | Cable clamp        | Collier de câble                       |                  |
| 39  | 2   | 017563 | Senkschraube              | Counter sunk screw | Vis à tête fraisée                     | DIN 7991 M4x30   |
| 40  | 1   | 014811 | Sechskantmutter           | Hexagon nut        | Ecrou hexagonal                        | DIN 934 - M10    |
| 41  | 1   | 038281 | LED-Leuchte               | LED-lamp           | LED-Lampe                              |                  |





## Einscheibenschleifmaschine MAMBO EVO

Art. # (D, F, A) 061804, (CH) 061808, (230V UK) 061809, (115V UK) 062551, (115V USA) 068952

### 4. Stiel/ Handle/ Manche 230V

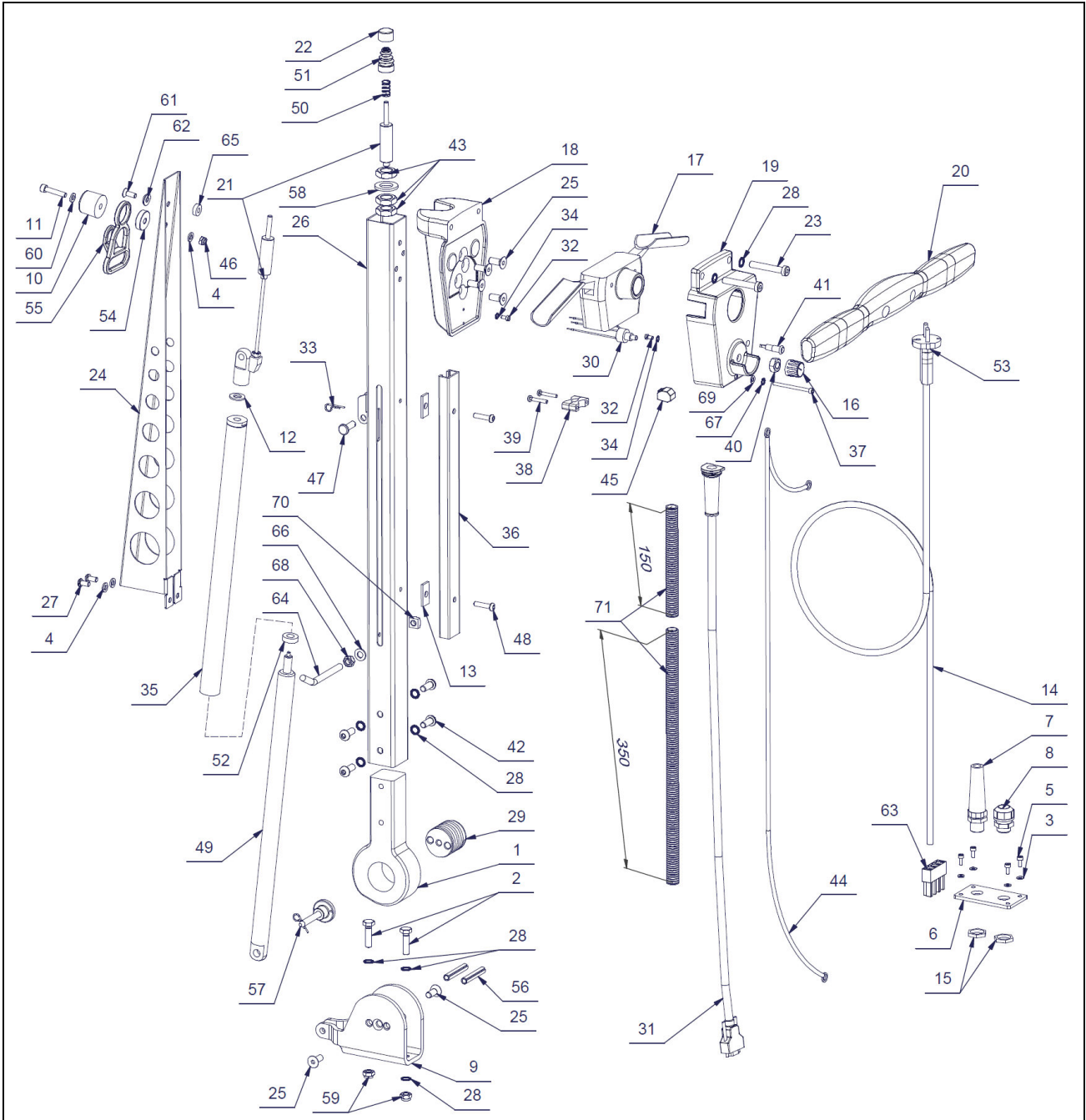
| Pos     | Pcs | #      | Bezeichnung                 | Description               | Dénomination                    | Norm             |
|---------|-----|--------|-----------------------------|---------------------------|---------------------------------|------------------|
| 42      | 4   | 047385 | Linsenflanschkopfschraube   | Tallow-drop screw         | Vis à tete goutte-de-suif       | M8x20            |
| 43      | 3   | 060749 | Sechskantmutter             | Hexagon nut               | Ecrou hexagonal                 | DIN 439-M16x1.5  |
| 44      | 1   | 038838 | Erdungskabel                | Ground wire               | Câble de mise à la terre        |                  |
| 45      | 3   | 050146 | Verbindungsklemme 2fach     | Clamp                     | Borne                           |                  |
| 46      | 1   | 014815 | Stopmutter                  | Nut, self-locking         | Ecrou hexagona freinage interne | DIN 985 - M6     |
| 47      | 1   | 060709 | Splintbolzen                | Gear shaft                | Roulement                       | DIN 1434         |
| 48      | 2   | 017558 | Linsenflanschkopfschraube   | Tallow-drop screw         | Vis à tete goutte-de-suif       | M6x 25           |
| 49      | 1   | 060724 | Gasdruckfeder               | Lockable Gas Spring       | Ressort pneumatique             |                  |
| 50      | 1   | 060727 | Druckfeder Knopfückstellung | Pressure spring           | Ressort de pression             |                  |
| 51      | 1   | 060722 | Faltenbalg                  | Round Bellows - Soufflets | Couvercle du plateau-entraîneur |                  |
| 52      | 1   | 060733 | Endlagendämpfer             | Damper                    | Amortisseur                     |                  |
| 53      | 1   | 039203 | Stecker                     | Plug                      | Fiche                           | Schuko           |
| 53      | 1   | 019165 | Stecker                     | Plug                      | Fiche                           | CH 230V          |
| 53      | 1   | 019170 | Stecker                     | Plug                      | Fiche                           | UK 230V          |
| 54      | 1   | 061883 | Distanz für Kabelhalter     | Spacer                    | Ecarteur                        |                  |
| 55      | 1   | 061886 | Kabelzugentlastung          | Cable strain relief       | Serre-câble                     |                  |
| 56      | 2   | 017655 | Spannstift                  | Dowel pin                 | Goupille de serrage             | DIN 7346 - 8x50  |
| 57      | 1   | 062316 | BG Steckbolzen              | Gear shaft                | Roulement                       |                  |
| 58      | 1   | 034216 | Schnorrzscheibe             | Washer                    | Disque                          | M16              |
| 59      | 2   | 014816 | Stopmutter                  | Nut, self-locking         | Ecrou hexagona freinage interne | DIN 985 - M8     |
| 60      | 1   | 014827 | U-Scheibe                   | Washer                    | Rondelle                        | DIN 125 - B 6,4  |
| 61      | 1   | 014756 | Senkschraube                | Counter sunk screw        | Vis à tête fraisée              | DIN 7991 - M6x16 |
| 62      | 1   | 067175 | Rosette                     | Rosette                   | Rosette                         |                  |
| 63      | 1   | 038631 | Kupplungsstecker            | Coupler plug              | Connecteur d'accouplement       |                  |
| 64      | 2   | 119222 | Verbindungsschlauch         | Tube                      | Tuyau                           |                  |
| 65      | 1   | 060769 | Distanzhülse                | distance bush             | Douille de distance             |                  |
| 66      | 1   | 017780 | U-Scheibe                   | Washer                    | Rondelle                        | DIN 125 - A 5,3  |
| 67      | 1   | 014858 | Schnorrzscheibe             | Washer                    | Disque                          | M5               |
| 68      | 1   | 073242 | Zwischenstück               | Adapter                   | Raccord                         |                  |
| o. Abb. | 1   | 060726 | Halteseil                   | Wire                      | Cordage                         |                  |
| o. Abb. | 1   | 060725 | Schlüsselring               | Key ring                  | Clavier                         |                  |
| o. Abb. | 1   | 119222 | Installationsrohr           | Socket                    | Douille                         |                  |
| o. Abb. | 1   | 041811 | Verlängerungskabel          | Extension cable           | Rallonge                        |                  |



## Einscheibenschleifmaschine MAMBO EVO

Art. # (D, F, A) 061804, (CH) 061808, (230V UK) 061809, (115V UK) 062551, (115V USA) 068952

### 4. Stiel/ Handle/ Manche 115V





## Einscheibenschleifmaschine MAMBO EVO

Art. # (D, F, A) 061804, (CH) 061808, (230V UK) 061809, (115V UK) 062551, (115V USA) 068952

### 4. Stiel/ Handle/ Manche 115V

| Pos | Pcs | #      | Bezeichnung               | Description        | Dénomination              | Norm             |
|-----|-----|--------|---------------------------|--------------------|---------------------------|------------------|
| 1   | 1   | 060705 | Stielhalterung            | Handle support     | Butée du manche           |                  |
| 2   | 2   | 017060 | Sechskantschraube         | Hexagon bolt       | Vis à six pans            | DIN 933 - M8x30  |
| 3   | 4   | 016961 | Schnorr Scheibe           | Washer             | Disque Schnorr            | M4               |
| 4   | 3   | 014859 | Schnorr Scheibe           | Washer             | Disque Schnorr            | M6               |
| 5   | 4   | 014717 | Zylinderschraube          | Cylindrical screw  | Boulon hexagonal          | DIN 912 - M4x10  |
| 6   | 1   | 038502 | Platte PG Verschr. 2fach  | Plate              | Plaque                    |                  |
| 7   | 1   | 039710 | Versch. m. Biegeschutz    | Connection         | Vissage                   | PG11             |
| 8   | 1   | 038836 | Verschraubung             | Connection         | Vissage                   |                  |
| 9   | 1   | 060706 | Stielaufnahme             | Support handle     | Support manche            |                  |
| 10  | 1   | 016138 | Türpuffer                 | Floor stopper      | Butoir de porte           |                  |
| 11  | 1   | 017678 | Zylinderschraube          | Cylindrical screw  | Boulon hexagonal          | DIN 912 - M6x30  |
| 12  | 1   | 014861 | Schnorr Scheibe           | Washer             | Disque Schnorr            | M10              |
| 13  | 2   | 014932 | Gummiplatte               | Rubber sleeve      | Plaque en caoutchouc      |                  |
| 14  | 1   | 061407 | Zuleitung ohne Stecker    | Cord w/o plug      | Câble sans Connecteur     | 230V/115V 0,5m   |
| 14  | 1   |        | Zuleitung ohne Stecker    | Cord w/o plug      | Câble sans Connecteur     | 230V/115V 10m    |
| 15  | 2   | 019182 | Gegenmutter PG 11         | Nut PG 11          | Boulon PG 11              |                  |
| 16  | 1   | 014647 | ZB-Drehknopf              | Knob               | Bouton de commande        |                  |
| 17  | 1   | 015000 | ZB- Zweihandschalter      | Two-hand switch    | Levier à deux mains       |                  |
| 18  | 1   | 060732 | Grundträger               | Base support       | Support de base           |                  |
| 19  | 1   | 061745 | Schalergehäuse            | Switch housing     | Couvercle de levier       |                  |
| 20  | 1   | 015421 | Schäumgriff               | Foam grip          | Poignée à mousse          |                  |
| 21  | 1   | 060723 | Auslösekopf Evo           | Release Gas Spring | Bouton de commande        |                  |
| 22  | 1   | 060710 | Drückknopf                | Press button       | Bouton-poussoir           |                  |
| 23  | 2   | 017551 | Zylinderschraube          | Cylindrical screw  | Boulon hexagonal          | DIN 7984 -M8x50  |
| 24  | 1   | 060721 | Blechabdeckung            | Cover, Metall      | Couvercle, tôle           |                  |
| 25  | 6   | 014759 | Senkschraube              | Counter sunk screw | Vis à tête fraisée        | DIN 7991-M8x18   |
| 26  | 1   | 060765 | SG Vierkantstiel          | Handle, square     | Manche, carré             |                  |
| 27  | 2   | 017552 | Linsenflanschkopfschraube | Tallow-drop screw  | Vis à tête goutte-de-suif | M6x16 m. innen6  |
| 28  | 9   | 014860 | Schnorr Scheibe           | Washer             | Disque Schnorr            | M8               |
| 29  | 1   | 060708 | Lagerbolzen               | Bearing pin        | Boulon                    |                  |
| 30  | 1   | 037939 | Potentiometer 4K7         | Potentiometer      | Potentiomètre             |                  |
| 31  | 1   | 038032 | Steuerkabel kompl.        | Control wire       | commande câble            |                  |
| 32  | 2   | 017473 | Messingschraube           | Bolt               | Vis                       | DIN 84 - M4 x 8  |
| 33  | 1   | 060766 | Federstecker              | Feder              | Ressort                   | ähnl. DIN 11024  |
| 34  | 2   | 017663 | Zahnscheibe               | Washer             | Disque                    | DIN 6797 - A 4,3 |
| 35  | 1   | 060707 | SG Schutzrohr             | Protection tube    | Tube de protection        |                  |
| 36  | 1   | 038289 | Kabelkanal                | Cable pit          | Conduite de câbles        |                  |
| 37  | 1   | 017639 | Zylinderschraube          | Cylindrical screw  | Boulon hexagonal          | DIN 912-M4x55    |
| 38  | 4   | 017709 | Kabelschelle              | Cable clamp        | Collier de câble          |                  |
| 39  | 4   | 017563 | Senkschraube              | Counter sunk screw | Vis à tête fraisée        | DIN 7991 M4x30   |
| 40  | 1   | 014811 | Sechskantmutter           | Hexagon nut        | Ecrou hexagonal           | DIN 934 - M10    |
| 41  | 1   | 038281 | LED-Leuchte               | LED-lamp           | LED-Lampe                 |                  |
| 42  | 4   | 047385 | Linsenflanschkopfschraube | Tallow-drop screw  | Vis à tête goutte-de-suif | M8x20            |



## Einscheibenschleifmaschine MAMBO EVO

Art. # (D, F, A) 061804, (CH) 061808, (230V UK) 061809, (115V UK) 062551, (115V USA) 068952

### 4. Stiel/ Handle/ Manche 115V

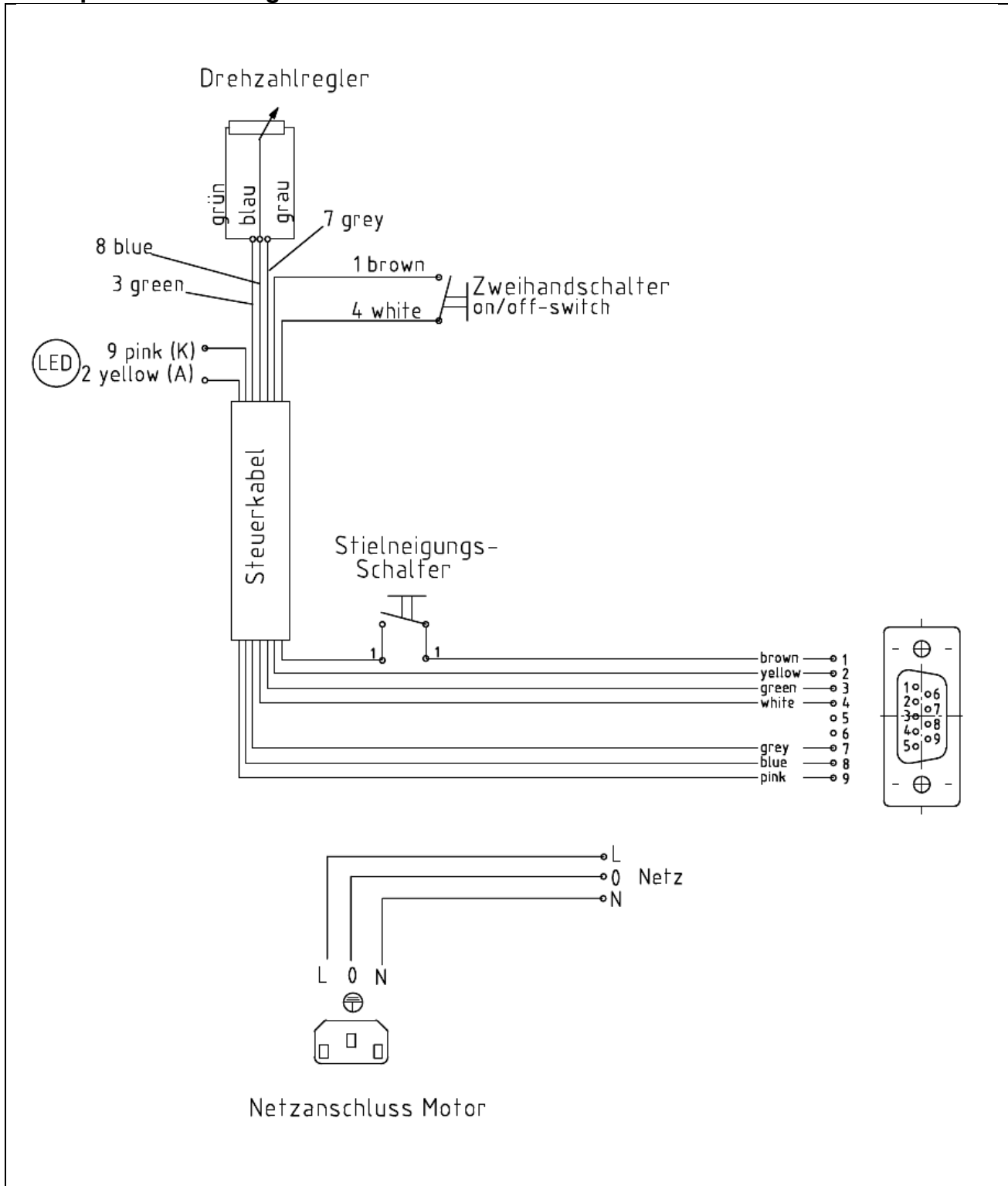
| Pos     | Pcs | #      | Bezeichnung                 | Description               | Dénomination                    | Norm             |
|---------|-----|--------|-----------------------------|---------------------------|---------------------------------|------------------|
| 43      | 3   | 060749 | Sechskantmutter             | Hexagon nut               | Ecrou hexagonal                 | DIN 439-M16x1.5  |
| 44      | 1   | 038838 | Erdungskabel                | Ground wire               | Câble de mise à la terre        |                  |
| 45      | 3   | 050146 | Verbindungsklemme 2fach     | Clamp                     | Borne                           |                  |
| 46      | 1   | 014815 | Stopmutter                  | Nut, self-locking         | Ecrou hexagona freinage interne | DIN 985 - M6     |
| 47      | 1   | 060709 | Splintbolzen                | Gear shaft                | Roulement                       | DIN 1434         |
| 48      | 2   | 017558 | Linsenflanschkopfschraube   | Tallow-drop screw         | Vis à tete goutte-de-suif       | M6x 25           |
| 49      | 1   | 060724 | Gasdruckfeder               | Lockable Gas Spring       | Ressort pneumatique             |                  |
| 50      | 1   | 060727 | Druckfeder Knopfückstellung | Pressure spring           | Ressort de pression             |                  |
| 51      | 1   | 060722 | Faltenbalg                  | Round Bellows - Soufflets | Couvercle du plateau-entraîneur |                  |
| 52      | 1   | 060733 | Endlagendämpfer             | Damper                    | Amortisseur                     |                  |
| 53      | 1   | 051544 | Stecker                     | Plug                      | Fiche                           | UK 115V / 32A    |
| 53      | 1   | 066472 | Stecker                     | Plug                      | Fiche                           | USA 115          |
| 54      | 1   | 061883 | Distanz für Kabelhalter     | Spacer                    | Ecarteur                        |                  |
| 55      | 1   | 061886 | Kabelzugentlastung          | Cable strain relief       | Serre-câble                     |                  |
| 56      | 2   | 017655 | Spannstift                  | Dowel pin                 | Goupille de serrage             | DIN 7346 - 8x50  |
| 57      | 1   | 062316 | BG Steckbolzen              | Gear shaft                | Roulement                       |                  |
| 58      | 1   | 034216 | Schnorr Scheibe             | Washer                    | Disque                          | M16              |
| 59      | 2   | 014816 | Stopmutter                  | Nut, self-locking         | Ecrou hexagona freinage interne | DIN 985 - M8     |
| 60      | 1   | 014827 | U-Scheibe                   | Washer                    | Rondelle                        | DIN 125 - B 6,4  |
| 61      | 1   | 014756 | Senkschraube                | Counter sunk screw        | Vis à tête fraisée              | DIN 7991 - M6x16 |
| 62      | 1   | 067175 | Rosette                     | Rosette                   | Rosette                         |                  |
| 63      | 1   | 021036 | Stecker                     | Plug                      | Frutto                          | 25A 115V         |
| 64      | 1   | 015427 | Kabelhalter                 | Cable holder              |                                 |                  |
| 65      | 1   | 014810 | Sechskantmutter             | Hexagon nut               | Ecrou hexagonal                 | DIN 934 - M8     |
| 66      | 1   | 014828 | Unterlegscheibe             | Washer                    | Rondelle                        | DIN 125 - 8,4    |
| 67      | 1   | 017605 | Vierkantmutter              | Spare nut                 | Écrou carré                     | DIN 557 - M8     |
| 68      | 1   | 060769 | Distanzhülse                | distance bush             | Douille de distance             |                  |
| 69      | 1   | 017780 | U-Scheibe                   | Washer                    | Rondelle                        | DIN 125 - A 5,3  |
| 70      | 1   | 014858 | Schnorr Scheibe             | Schnorr washer            | Disque Schnorr                  | M5               |
| 71      | 2   | 119222 | Verbindungsschlauch         | Tube                      | Tuyau                           |                  |
| o. Abb. | 1   | 060726 | Halteseil                   | Wire                      | Cordage                         |                  |
| o. Abb. | 1   | 060725 | Schlüsselring               | Key ring                  | Clavier                         |                  |
| o. Abb. | 1   | 119222 | Installationsrohr           | Socket                    | Douille                         |                  |
| o. Abb. | 1   | 041811 | Verlängerungskabel          | Extension cable           | Rallonge                        |                  |



## Einscheibenschleifmaschine MAMBO EVO

Art. # (D, F, A) 061804, (CH) 061808, (230V UK) 061809, (115V UK) 062551, (115V USA) 068952

### Schaltplan/ Circuit diagram/ Schéma de connexions

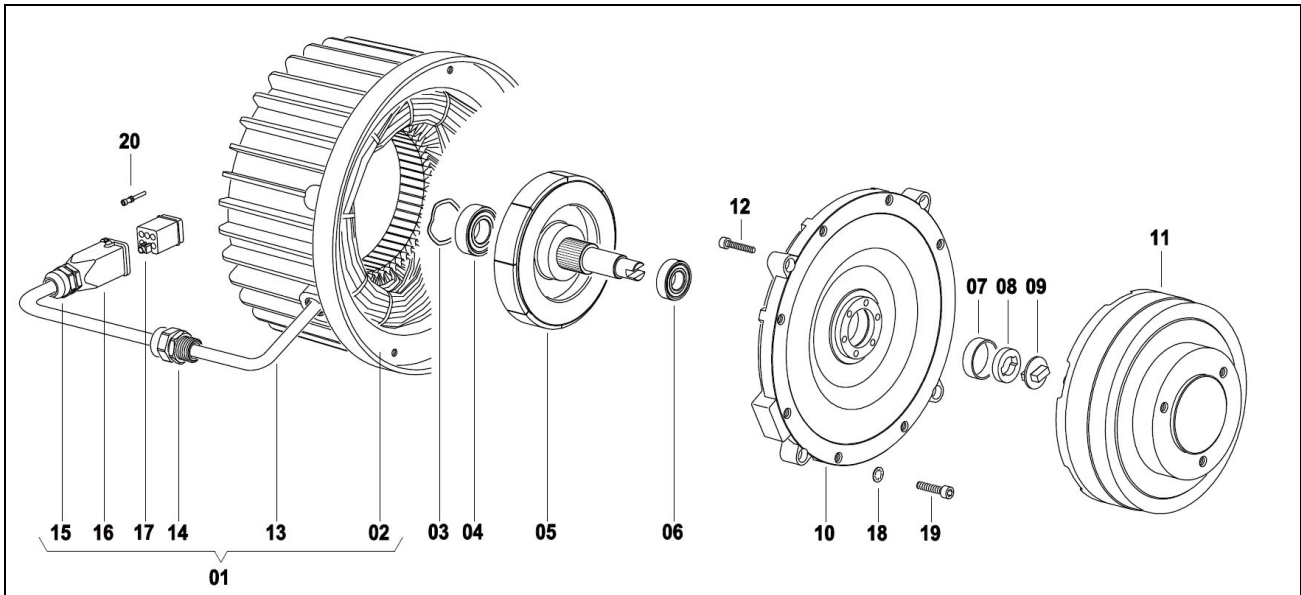




## Einscheibenschleifmaschine MAMBO EVO

Art. # (D, F, A) 061804, (CH) 061808, (230V UK) 061809, (115V UK) 062551, (115V USA) 068952

### Motor/Motor/Moteur



| Pos. | Pcs. | #      | Bezeichnung           | Description                 | Dénomination              | Norm           |
|------|------|--------|-----------------------|-----------------------------|---------------------------|----------------|
| 1    | 1    | 037293 | Motor kompl.          | Complete motor              | Moteur compl.             |                |
| 2    | 1    |        | Stator mit Wicklung   | Housing with winding        | Stator avec enroulement   |                |
| 3    | 1    | 073323 | Federscheibe          | Spring Washer               | Rondelle                  |                |
| 4    | 1    | 017210 | Kugellager            | Ball bearing                | Palier à billes           | 6203 2RS       |
| 5    | 1    | 067882 | Welle mit Rotor       | Shaft with rotor            | Larbre de rotor avec      |                |
| 6    | 1    | 014702 | Kugellager            | Ball bearing                | Palier à billes           | 6002 2RS       |
| 7    | 1    | 064752 | Distanz-Ring          | Spacer                      | Ecarteur                  |                |
| 8    | 1    | 064753 | Sicherungsrin         | Retainer                    | Circlip                   |                |
| 9    | 1    | 064754 | Mitnehmer             | Coupler                     | Entraîneur                |                |
| 10   | 1    | 079171 | Lagerschild           | Endshield                   | Guide de bride            |                |
| 11   | 1    | 076998 | Getriebe              | Gear box (3 planets - 10:1) | Entraînement              |                |
| 12   | 6    | 059872 | Schraube              | Screw                       | Vis                       | 1/4" 10-32     |
| 13   | 1    |        | Kabel                 | Cable                       | Câble                     |                |
| 14   | 1    | 019299 | Kabeltülle            | Cable stopper               | Manchon support de câble  |                |
| 15   | 1    | 014992 | Kabeltülle            | Cable stopper               | Manchon support de câble  |                |
| 16   | 1    | 079237 | Tüllengehäuse         | Case (plug)                 | Boîtier de connecteur     |                |
| 17   | 1    | 079236 | Stifteinsatz          | Pin insert                  | Inserts porte-contact     |                |
| 18   | 4    | 014859 | Schnorrzscheibe       | Schnorr washer              | Disque Schnorr            | M6             |
| 19   | 4    | 014731 | Schraube              | Screw                       | Vis                       | M6x25          |
| 21   | 8    | 014860 | Schnorrzscheibe       | Schnorr washer              | Disque Schnorr            | M8             |
| 22   | 8    | 037936 | Schraube              | Screw                       | Vis                       | 5/16"          |
|      |      |        | <b>Ohne Abbildung</b> | <b>Without deawing</b>      | <b>Sans illustration:</b> |                |
|      | 1    | 059858 | Dichtring             | Seal ring                   | Bague d'étanchéité        | 50x2           |
|      | 6    | 052320 | Dichtring             | Seal ring CU                | Bague d'étanchéité        | A 5x9 DIN 7603 |
|      | 6    | 059860 | Dichtring CU          | Screw                       | Vis                       | 3/4 10-24      |



